

F81 MOUNTING FLANGE

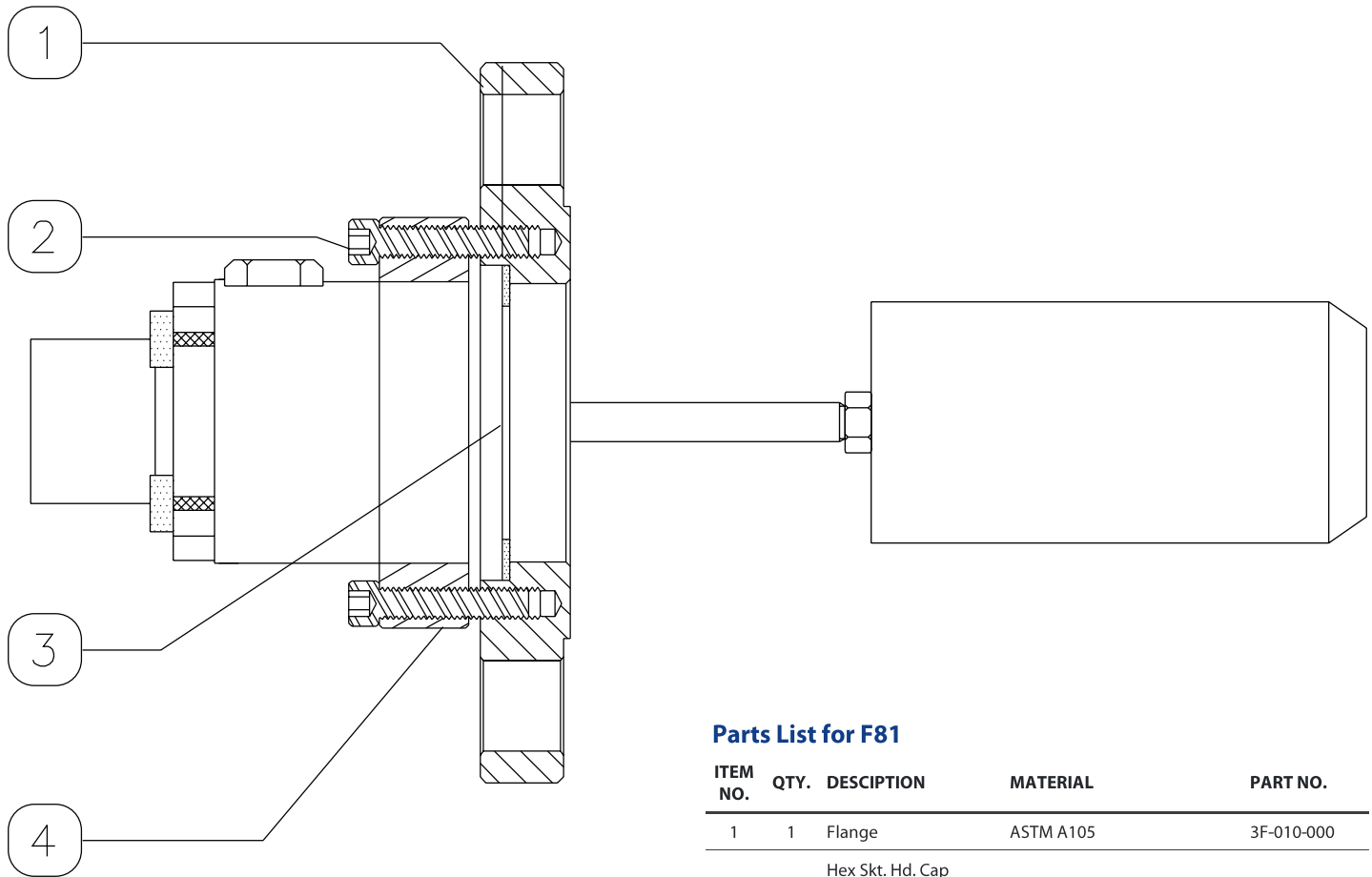


www.k-dyne.com

702 South Persimmon, Suite 1C
Tomball, TX 77375
P: 281.397.7099
F: 281.397.7495

MODEL F81 MOUNTING FLANGE

The F81 model mounting flanges are designed specifically for mounting the K-Dyne Model L81 pneumatic or electric level switches. They provide non-threaded process connections for applications where a positive pressure seal is required. This design is well suited for mounting the level switch directly to a tank or pressurized vessel eliminating the need for any external piping.



Parts List for F81

ITEM NO.	QTY.	DESCRIPTION	MATERIAL	PART NO.
1	1	Flange	ASTM A105	3F-010-000
2	8	Hex Skt. Hd. Cap Screw	SAE Gr 8	TA-08K-187
3	1	Switch Body Gasket	Blue Guard	31-019-000
4	1	Slip Ring	ASTM A108 Gr 1018	31-020-000
5	---	Repair Kit	Items 2 & 3	31-071-RKC

Ordering Number F81-FC0GCC0

2" ANSI, 150 RF	3" ANSI, 150 RF	4" ANSI, 150 RF	6" ANSI, 150 RF	2" ANSI 300 RF	3" ANSI 300 RF	4" ANSI 300 RF	6" ANSI 300 RF	2" ANSI 600 RF	3" ANSI 600 RF	4" ANSI 600 RF	6" ANSI 600 RF
21	31	41	61	23	33	43	63	26	36	46	66