

N70 EXHAUST PORT INDICATOR

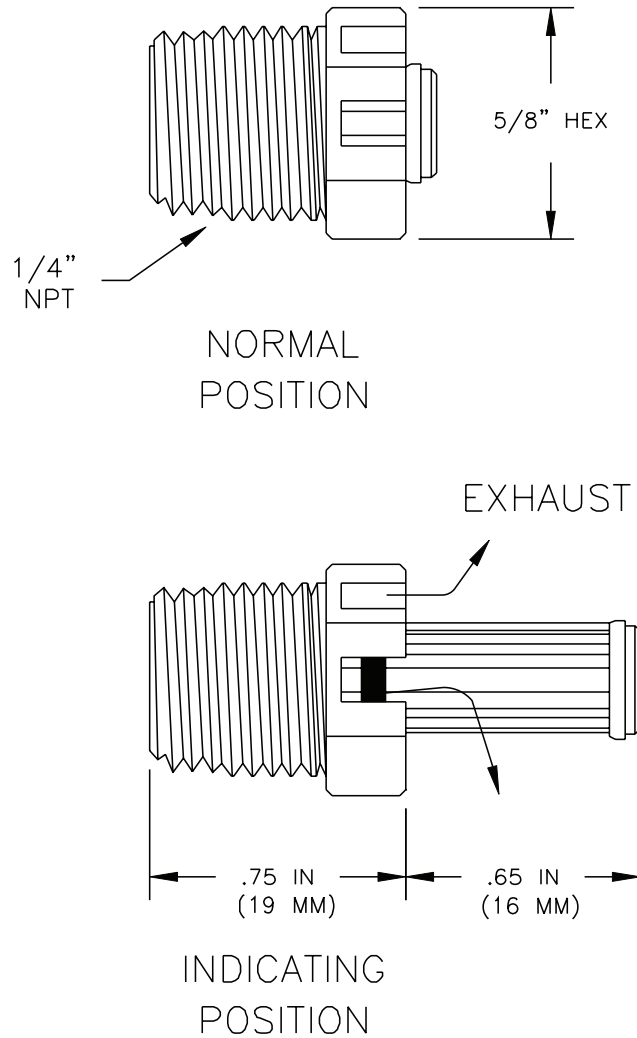


www.k-dyne.com

702 South Persimmon, Suite 1C
Tomball, TX 77375
P: 281.397.7099
F: 281.397.7495

MODEL N70 EXHAUST PORT INDICATOR

The K-Dyne Model N70 Exhaust Port Indicator is specifically designed for use on wellhead and production pneumatic safety systems. When no pressure is flowing thru the exhaust port of a valve or sensor, the "RED" indicator stem remains inside the indicator body. The Exhaust Port Indicator operates when the valve or sensor vents pressure. This pressure extends the "RED" indicator stem outward and at the end of its movement allows the exhaust pressure to escape from four slots in the face of the body. The stem stays extended until manually reset and allows all pressure to freely exhaust to the atmosphere. The small size and simplicity of operation makes the Model N70 Exhaust Port Indicator an economical device for providing "First Out" alarm indication.



FEATURES & BENEFITS

- Constructed of field proven materials that will provide years of trouble free service.
- Will not affect operation of valve or sensor it is installed on.
- Not affected by vibration and will "stay put" after tripping.
- Can be mounted in any position (horizontal, vertically up or down)

SPECIFICATIONS

Maximum Exhausted Pressure	150 PSI 151 (10.3 BARS)
Minimum Working Pressure	3 PSI (.2 BARS)
Cv Factor	.4
Ambient Temperature	-20 to 180° F (29 to 82° C)

Ordering Number

N70-4M3VAR000